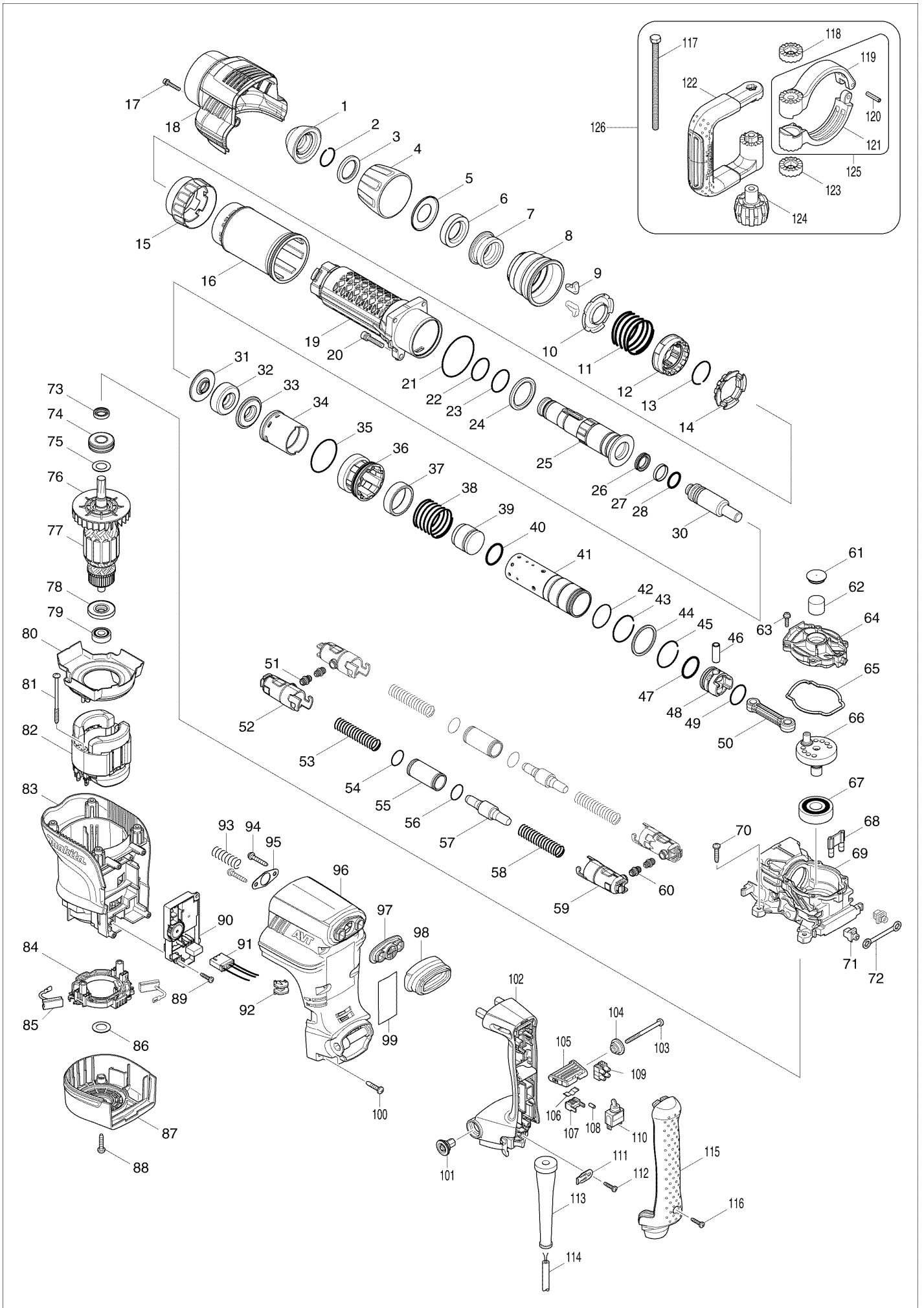


Nr.	Art nr.	Namn
1	286285-4	TOOL HOLDER CAP
2	233948-3	RING SPRING 25
3	257308-5	RING 28
4	450064-8	CHUCK COVER
5	346247-5	CUP WASHER 28
6	262161-6	RUBBER RING 28
7	324752-2	CHUCK RING
8	451836-4	RELEASE COVER
9	310178-4	TOOL RETAINER
10	345804-6	SPRING GUIDE
11	234180-2	COMPRESSION SPRING 47
12	313193-7	CHANGE RING
13	233982-3	RING SPRING 33
14	325904-8	LOCK RING
15	451842-9	CHANGE RING COVER
16	451835-6	BARREL COVER
17	922148-7	HEX. SOCKET HEAD BOLT M4X25
18	451845-3	CRANK HOUSING COVER
19	140411-8	BARREL COMPLETE
20	922353-6	HEX.SOCKET HEAD BOLT M6X30
21	213654-6	O RING 60
22	213492-6	O-RING 32
23	213492-6	O-RING 32
24	262135-7	RUBBER RING 36
25	325901-4	TOOL HOLDER
26	213281-9	X-RING 18
27	213392-0	FLUORIDE RING 25
28	213317-4	O RING 20
30	325902-2	IMPACT BOLT
31	325903-0	COLLARED SLEEVE 19
32	422053-3	RUBBER RING 20
33	325903-0	COLLARED SLEEVE 19
34	412096-3	SLIDE SLEEVE
35	213606-7	O RING 48
36	318604-7	CYLINDER GUIDE
37	313194-5	RING 39
38	234178-9	COMPRESSION SPRING 40
39	325905-6	STRIKER
40	213536-2	O-RING 27
41	331892-9	CYLINDER 35
42	213458-6	O RING 34
43	233981-5	RING SPRING 38
44	267423-7	FLAT WASHER 40
45	233981-5	RING SPRING 38
46	331911-1	PIPE 10
47	213536-2	O-RING 27
48	451833-0	PISTON
49	213415-4	O RING 28

50	451834-8	CONNECTING ROD
51	422054-1	RUBBER PIPE
52	451843-7	FRONT PIPE HOLDER
53	234179-7	COMPRESSION SPRING 14
54	213961-7	O RING 22
55	331893-7	PIPE 20
56	213961-7	O RING 22
57	325906-4	COUNTER WEIGHT
58	234179-7	COMPRESSION SPRING 14
59	451844-5	REAR PIPE HOLDER
60	422054-1	RUBBER PIPE
61	424311-3	FILTER CAP
62	443127-7	FILTER
63	911133-5	PAN HEAD SCREW M4X18
64	451838-0	CRANK CAP
65	424312-1	SEAL RING
66	325899-5	CRANK SHAFT
67	211279-0	BALL BEARING 6303LLU
68	451848-7	AIR PIPE
69	140407-9	CRANK HOUSING COMPLETE
70	266041-8	TAPPING SCREW 5X25
71	419008-7	FIX GUIDE
72	423345-3	CUSHION PLATE
73	213133-4	OIL SEAL 12
74	211295-2	BALL BEARING 6202LLU
75	267215-4	FLAT WASHER 15
77	517858-5	ARMATURE ASSEMBLY 220-240V
78	681642-5	INSULATION WASHER
79	210059-1	BALL BEARING 6000DDW
80	451837-2	BAFFLE PLATE
81	266568-8	TAPPING SCREW 5X80
82	623418-4	FIELD 220-240V
83	451840-3	MOTOR HOUSING
84	638700-8	BRUSH HOLDER UNIT
85	194412-8	Hillet CB-171
86	267215-4	FLAT WASHER 15
87	451839-8	REAR COVER
88	266041-8	TAPPING SCREW 5X25
89	265995-6	TAPPING SCREW 4X18
90	631968-5	CONTROLLER
91	638718-9	LEAD UNIT
92	450240-4	LENS
93	233434-4	COMPRESSION SPRING 11
94	266173-1	TAPPING SCREW 5X30
95	346246-7	PLATE
96	451846-1	HANDLE BASE
97	419783-5	DUST COVER SUPPORT
98	424001-8	DUST COVER
99	868068-0	HM1111C NAME PLATE

---

100	266041-8	TAPPING SCREW 5X25
101	451431-0	HANDLE RETAINER
102	140409-5	HANDLE COMPLETE
103	266029-8	TAPPING SCREW 5X65
104	450352-3	SHOULDER SLEEVE 6
105	450896-3	SLIDE LEVER
106	232209-8	LEAF SPRING
107	450891-3	LEVER STOPPER
108	263027-3	RUBBER PIN 4
109	654531-7	TERMINAL BLOCK 2P
110	651418-4	SWITCH ST115A-40
111	687169-3	STRAIN RELIEF
112	265995-6	TAPPING SCREW 4X18
113	682560-0	CORD GUARD 10
114	695123-3	POWER SUPPLY CORD 1.5-2-4.0
115	451841-1	HANDLE COVER
116	265995-6	TAPPING SCREW 4X18
117	265439-6	HEX. BOLT M8X150
118	417002-3	SIDE HANDLE CAM
119	317282-0	SIDE HANDLE BASE 68A
120	951166-8	SPRING PIN 5-24
121	317283-8	SIDE HANDLE BASE 68B
122	417003-1	Sivukahva
123	417002-3	SIDE HANDLE CAM
124	252640-2	WING NUT M8



Nr.	Art nr.	Namn
1	286285-4	TOOL HOLDER CAP
2	233948-3	RING SPRING 25
3	257308-5	RING 28
4	450064-8	CHUCK COVER
5	346247-5	CUP WASHER 28
6	262161-6	RUBBER RING 28
7	324752-2	CHUCK RING
8	451836-4	RELEASE COVER
9	310178-4	TOOL RETAINER
10	345804-6	SPRING GUIDE
11	234180-2	COMPRESSION SPRING 47
12	313193-7	CHANGE RING
13	233982-3	RING SPRING 33
14	325904-8	LOCK RING
15	451842-9	CHANGE RING COVER
16	451835-6	BARREL COVER
17	922148-7	HEX. SOCKET HEAD BOLT M4X25
18	451845-3	CRANK HOUSING COVER
19	140411-8	BARREL COMPLETE
20	922353-6	HEX.SOCKET HEAD BOLT M6X30
21	213654-6	O RING 60
22	213492-6	O-RING 32
23	213492-6	O-RING 32
24	262135-7	RUBBER RING 36
25	325901-4	TOOL HOLDER
26	213281-9	X-RING 18
27	213392-0	FLUORIDE RING 25
28	213317-4	O RING 20
30	325902-2	IMPACT BOLT
31	325903-0	COLLARED SLEEVE 19
32	422053-3	RUBBER RING 20
33	325903-0	COLLARED SLEEVE 19
34	412096-3	SLIDE SLEEVE
35	213606-7	O RING 48
36	318604-7	CYLINDER GUIDE
37	313194-5	RING 39
38	234178-9	COMPRESSION SPRING 40
39	325905-6	STRIKER
40	213536-2	O-RING 27
41	331892-9	CYLINDER 35
42	213458-6	O RING 34
43	233981-5	RING SPRING 38
44	267423-7	FLAT WASHER 40
45	233981-5	RING SPRING 38
46	331911-1	PIPE 10
47	213536-2	O-RING 27
48	451833-0	PISTON
49	213415-4	O RING 28

50	451834-8	CONNECTING ROD
51	422054-1	RUBBER PIPE
52	451843-7	FRONT PIPE HOLDER
53	234179-7	COMPRESSION SPRING 14
54	213961-7	O RING 22
55	331893-7	PIPE 20
56	213961-7	O RING 22
57	325906-4	COUNTER WEIGHT
58	234179-7	COMPRESSION SPRING 14
59	451844-5	REAR PIPE HOLDER
60	422054-1	RUBBER PIPE
61	424311-3	FILTER CAP
62	443127-7	FILTER
63	911133-5	PAN HEAD SCREW M4X18
64	451838-0	CRANK CAP
65	424312-1	SEAL RING
66	325899-5	CRANK SHAFT
67	211279-0	BALL BEARING 6303LLU
68	451848-7	AIR PIPE
69	140407-9	CRANK HOUSING COMPLETE
70	266041-8	TAPPING SCREW 5X25
71	419008-7	FIX GUIDE
72	423345-3	CUSHION PLATE
73	213133-4	OIL SEAL 12
74	211295-2	BALL BEARING 6202LLU
75	267215-4	FLAT WASHER 15
77	517858-5	ARMATURE ASSEMBLY 220-240V
78	681642-5	INSULATION WASHER
79	210059-1	BALL BEARING 6000DDW
80	451837-2	BAFFLE PLATE
81	266568-8	TAPPING SCREW 5X80
82	623418-4	FIELD 220-240V
83	451840-3	MOTOR HOUSING
84	638700-8	BRUSH HOLDER UNIT
85	195844-2	CARBON BRUSH CB-175
86	267215-4	FLAT WASHER 15
87	451839-8	REAR COVER
88	266041-8	TAPPING SCREW 5X25
89	265995-6	TAPPING SCREW 4X18
90	631968-5	CONTROLLER
91	638718-9	LEAD UNIT
92	450240-4	LENS
93	233434-4	COMPRESSION SPRING 11
94	266173-1	TAPPING SCREW 5X30
95	346246-7	PLATE
96	451846-1	HANDLE BASE
97	419783-5	DUST COVER SUPPORT
98	424001-8	DUST COVER
99	868068-0	HM1111C NAME PLATE

---

100	266041-8	TAPPING SCREW 5X25
101	451431-0	HANDLE RETAINER
102	140409-5	HANDLE COMPLETE
103	266029-8	TAPPING SCREW 5X65
104	450352-3	SHOULDER SLEEVE 6
105	450896-3	SLIDE LEVER
106	232209-8	LEAF SPRING
107	450891-3	LEVER STOPPER
108	263027-3	RUBBER PIN 4
109	654531-7	TERMINAL BLOCK 2P
110	651418-4	SWITCH ST115A-40
111	687169-3	STRAIN RELIEF
112	265995-6	TAPPING SCREW 4X18
113	682560-0	CORD GUARD 10
114	695123-3	POWER SUPPLY CORD 1.5-2-4.0
115	451841-1	HANDLE COVER
116	265995-6	TAPPING SCREW 4X18
117	265439-6	HEX. BOLT M8X150
118	417002-3	SIDE HANDLE CAM
119	317282-0	SIDE HANDLE BASE 68A
120	951166-8	SPRING PIN 5-24
121	317283-8	SIDE HANDLE BASE 68B
122	417003-1	Sivukahva
123	417002-3	SIDE HANDLE CAM
124	252640-2	WING NUT M8